

Monozone™

OZONE GENERATORS

Models 2-OZ, 3-OZ & 6-OZ



Installation, Operation & Maintenance

ATLANTIC  **ULTRAVIOLET**
CORPORATION®

375 Marcus Boulevard • Hauppauge, NY 11788 • USA
631.273.0500 • Fax: 631.273.0771
e-mail: info@ultraviolet.com

Extensive Product Information Available at:

ultraviolet.com

Owner's Manual

TABLE OF CONTENTS

SAFETY WARNINGS	3
SAFETY INSTRUCTIONS	3
PRODUCT APPLICATION	4
CONSTRUCTION	4
PRINCIPLE OF OPERATION	5
LIMITATIONS	5
UNPACKING	6
INSTALLATION	7-9
UNIT PLACEMENT.....	7
DIMENSIONAL DATA	7
REQUIRED TOOLS	7
SET UP INSTRUCTIONS.....	8
<i>STANDARD</i>	8
<i>STANDARD WALL MOUNTING</i>	8-9
MAINTENANCE	10-11
REQUIRED SUPPLIES	10
LAMP INSTALLATION, REPLACEMENT OR CLEANING.....	10
INTAKE FILTER.....	11
<i>CLEANING OF ELECTROSTATIC FILTER</i>	11
BREAKAGE	11
DISPOSAL OF MERCURY ADDED LAMPS	11
OPTIONAL ACCESSORIES	12
TROUBLESHOOTING	13
TECHNICAL SPECIFICATIONS	14
REPLACEMENT PARTS	14-15
USER ASSISTANCE	16
WARRANTY	16
PATENT NOTICE.....	16

These instructions generally describe the installation, operation and maintenance of the **Monozone™** Ozone Generators. Questions that are not specifically answerable by these instructions should be directed to the factory. Atlantic Ultraviolet Corporation takes all possible precautions when packaging equipment to prevent damage. Carefully inspect and report all damages. Do not install damaged equipment. Follow all instructions on any labels or tags. Carefully inspect all packing materials before discarding to prevent the loss of accessories, mounting hardware, spare parts or instructions.

The information and recommendations contained in this publication are based upon data collected by the Atlantic Ultraviolet Corporation® and are believed to be correct. However, no guarantee or warranty of any kind, expressed or implied, is made with respect to the information contained herein. Specifications and information are subject to change without notice.



SAFETY WARNINGS

- All personnel should be alerted to the potential hazards indicated by the product safety labeling on this unit.
- The following conventions are used to indicate and classify precautions in this manual and on product safety labeling. Failure to observe precautions could result in injury to people or damage to property.



This is the safety alert symbol. It is used to alert you to potential personal injury hazards. Obey all safety messages that follow this symbol to avoid possible injury or death.



This symbol/pictorial is used to identify an **ELECTRICAL SHOCK** or **ELECTROCUTION** hazard.

⚠ DANGER

Danger indicates an **IMMINENTLY** hazardous situation, which, if not avoided, **WILL** result in death or serious injury.



This symbol/pictorial is used to identify an **ULTRAVIOLET LIGHT** hazard.

⚠ WARNING

Warning indicates a **POTENTIALLY** hazardous situation, which, if not avoided, **COULD** result in death or serious injury.



This symbol/pictorial is used to identify the need to wear approved ultraviolet resistant face shield.

⚠ CAUTION

Caution indicates a **POTENTIALLY** hazardous situation, which, if not avoided, **MAY** result in minor or moderate injury.



This symbol/pictorial is used to identify the need to wear protective gloves.

CAUTION

Caution used without the safety alert symbol indicates a potentially hazardous situation, which, if not avoided, may result in property damage.

- Product safety labels should be periodically inspected and cleaned, as necessary, to maintain good legibility. Always replace illegible safety labels. Contact factory to obtain replacement safety labels.

SAFETY INSTRUCTIONS

⚠ WARNING: To guard against injury, basic safety precautions should be observed, including the following:

1. Read and follow **ALL** safety instructions.



⚠ WARNING: Avoid exposure to direct or strongly reflected germicidal ultraviolet rays. Germicidal ultraviolet rays are harmful to the eyes and skin.

2. Intended for indoor use only.
3. Do not alter the construction or design.
4. Do not use this unit for other than its intended purpose, as described in this manual.
5. Do not override safety interlock.
6. Do not remove any labels or devices.
7. Do not mount under any source of moisture or condensation.
8. **⚠ CAUTION:** Do not operate without proper electrical ground.
9. Do not operate the unit if there is visible or suspected damage to the unit or, if applicable, there is damage to power cord and/or plug.
10. Keep inlet and outlet, of the blowers, clean and clear of debris.
11. Do not operate without access cover secured.
12. Stay clear of blowers, or other moving parts that can cause injuries.
13. Utility power supplied, to the unit, **MUST** match power requirements listed on the unit label.
14. **⚠ WARNING:** Always disconnect power to the unit before performing any service or maintenance.
15. Read and follow all notices and warnings on the unit.
16. **SAVE THESE INSTRUCTIONS.**

PRODUCT APPLICATION

CONSTRUCTION

The **Monozone™** Ozone Generators consists of:

- Germicidal ultraviolet ozone lamp(s), which deliver ultraviolet energy in the specific wavelength of 254 nanometers (**nm**) which is highly effective against airborne microbes including: virus, bacteria, and mold spores and 185nm (wavelength that produces ozone).
- 120-volt 50/60Hz or 230-volt 50/60Hz electronic ballast(s).
- A polished reflector, whose design and specular aluminum construction, maximizes ultraviolet intensity within the exposure chamber.
- A standard, NEMA 5-15, three-prong plug, and operates on 120VAC 50/60Hz single-phase standard household current. The **Monozone™** is also available for operation on 230VAC 50/60Hz.
- Permanent, washable, electrostatic intake filter(s), capable of removing airborne particles as small as 5 microns.
- A louvered exhaust, which restricts direct ultraviolet radiation from passing into the room.
- A sight glass assembly, which provides visual indication of germicidal lamp(s) operation without the risk of ultraviolet exposure.
- An enclosure and access cover constructed of stainless steel, type 304. Stainless steel construction provides strength, durability and lasting value.
- An interlock safety switch. The interlock switch interrupts power to the unit, when the access cover is removed from the lamp/exposure chamber.
- Molded rubber feet, for use on tabletops, shelves, etc. and standard wall mounting brackets. These brackets allow the **Monozone™** to be mounted to a wall, or other vertical surface in either the vertical or horizontal position. Optional mounting kits are available; consult our application specialists for specific details.

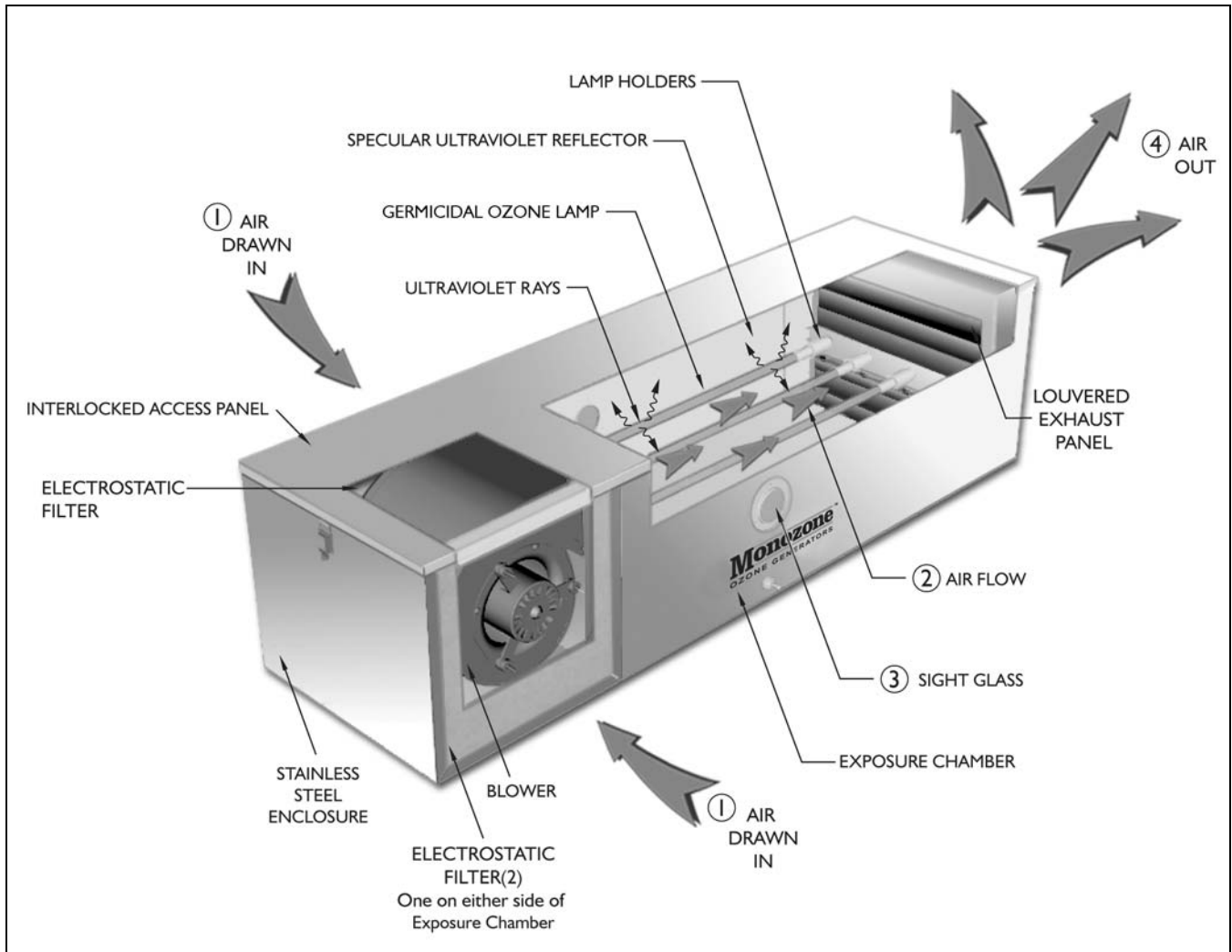
PRINCIPLE OF OPERATION

The **Monozone™** Ozone Generators are intended for use in scientific research and industrial and commercial ozonation applications and **are not** intended for use in occupied areas.

The operation of the **Monozone™** is as follows:

1. Air is drawn into the unit through the electrostatic filter(s).
2. The air is forced into the exposure chamber, where it is irradiated by the germicidal ultraviolet ozone lamp(s).
3. Sight glass provides positive indication of operation of germicidal lamp(s).
4. The purified air exits the unit, through the louvered exhaust panel, located at the opposite end of the unit.
5. Air exiting the unit includes a small amount of ozone.

Figure 1 - Monozone™ Model 6 Ozone Generator



LIMITATIONS

- Overexposure to germicidal ultraviolet rays will result in the irritation of the eyes and reddening of the skin. For that reason, it is of the utmost importance that your ultraviolet application be carefully planned and implemented so as to avoid exposure, of personnel, to direct or reflected ultraviolet rays.
- The American Conference of Governmental Industrial Hygienists (**ACGIH**) has established that the ultraviolet radiant exposure incident for unprotected eyes or skin should not exceed 0.2 microwatts per square centimeter ($\mu\text{W}/\text{cm}^2$) at 254 nanometers (**nm**) for an eight (8) hour period. ("**2004 TLVs® and BEIs®**")
- The Food and Drug Administration prohibits any device that generates or causes an accumulation of more than 0.05 P.P.M. of ozone in the atmosphere of an enclosed space intended to be occupied by people for extended periods of time.

UNPACKING

- Remove the **Monozone™** Ozone Generator from its shipping carton.
- Atlantic Ultraviolet Corporation takes all possible precautions when packaging this unit to prevent damage. Carefully inspect the unit, power cord and plug for damage, report all damage immediately. Do not assemble or operate if there is any damage, visible or suspected.
- Germicidal lamp(s) are packed separately, to ensure maximum protection for the lamp(s). Keep the lamp(s) aside until ready for installation.
- Carefully inspect all packing materials to prevent the loss of accessories, mounting hardware, spare parts or instructions.

The **Monozone™ Model 2-OZ** includes:

- 1 - 72 CFM displacement/1-lamp unit with 6-foot line cord
- 1 - Germicidal Ultraviolet Ozone Lamp
- 1 - Set of Standard Wall Mounting Brackets
- 1 - Operating Instructions

The **Monozone™ Model 3-OZ** includes:

- 1 - 140 CFM displacement/2-lamp unit with 6-foot line cord
- 2 - Germicidal Ultraviolet Ozone Lamps
- 1 - Set of Standard Wall Mounting Brackets
- 1 - Operating Instructions

The **Monozone™ Model 6-OZ** includes:

- 1 - 435 CFM displacement/4-lamp unit with 6-foot line cord
- 4 - Germicidal Ultraviolet Ozone Lamps
- 1 - Set of Standard Wall Mounting Brackets
- 1 - Operating Instructions

INSTALLATION

UNIT PLACEMENT

For maximum efficiency the **Monozone™** should be located as centrally as possible, preferably not close to the floor or the corners of the area to be treated.

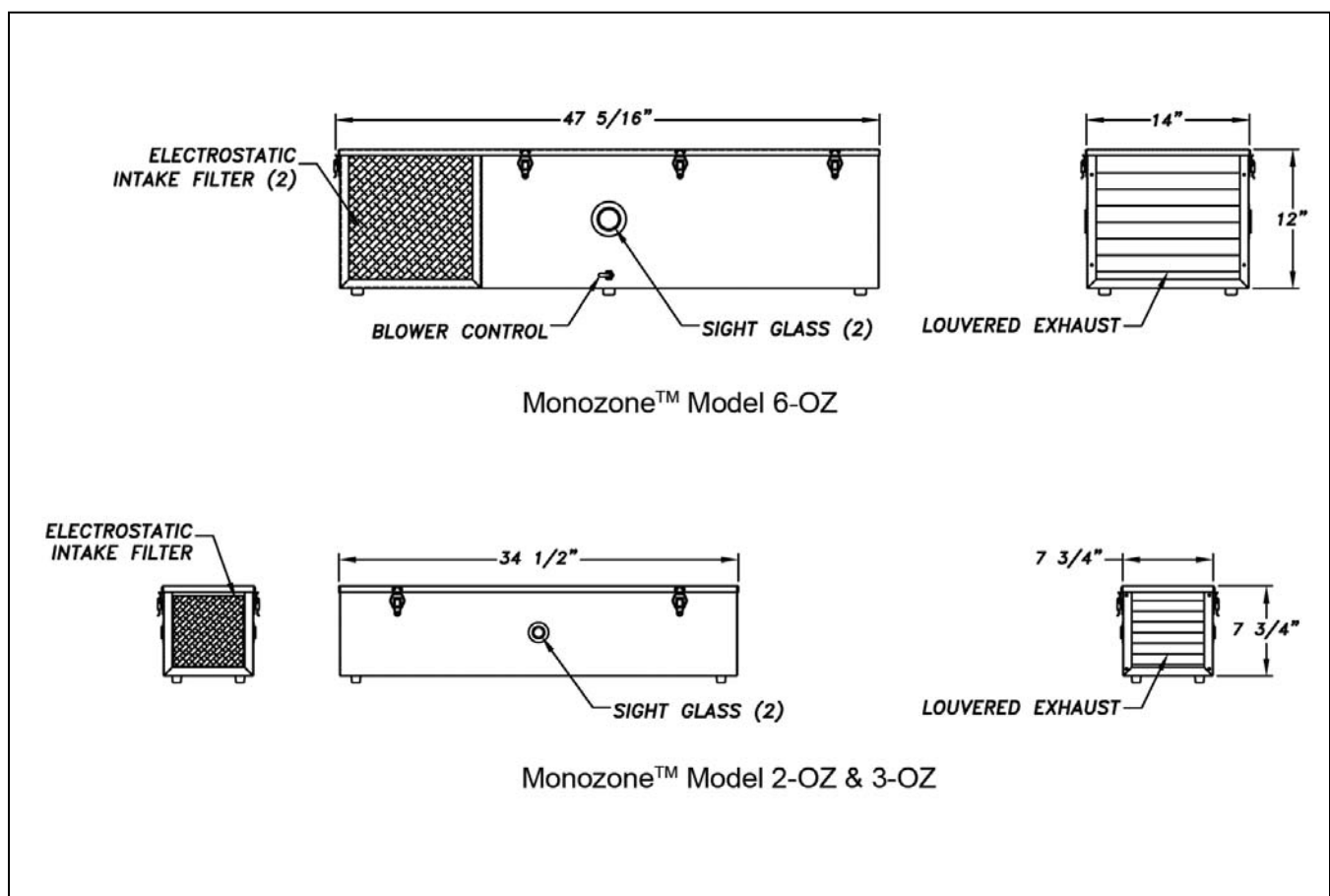
Unit should be operated only in unoccupied areas.

To ensure safe and proper use, make sure the area:

- Has a properly grounded, electrical outlet within 6-feet of the unit.
- Has a plumb, secure wall, for standard wall mounting (if applicable).

DIMENSIONAL DATA

Figure 2 - Dimensional Data



All specifications, dimensional data, etc. are approximate and subject to change without notice.

REQUIRED TOOLS (FOR WALL MOUNTING)

- If wall mounting, support hardware appropriate for the wall construction
- Pencil
- Tape measure
- Spirit level
- Power drill with drill bits and drivers

SETUP INSTRUCTIONS

STANDARD

▲ WARNING: Always disconnect power to the unit before performing any service or maintenance.

The **Monozone™** Ozone Generators are portable, and require no professional installation.

1. Place unit in selected location.
2. Unlatch and remove access cover.
3. Install lamp(s) following the steps in “**Lamp Installation, Replacement or Cleaning**” in the “**Maintenance**” section on page 10.
7. Replace and re-latch access cover.
8. Plug power cord into the electrical outlet.
9. Verify operation by viewing lamps through sight glass. If the **Monozone™** is not operating properly, go to “**Troubleshooting**” section



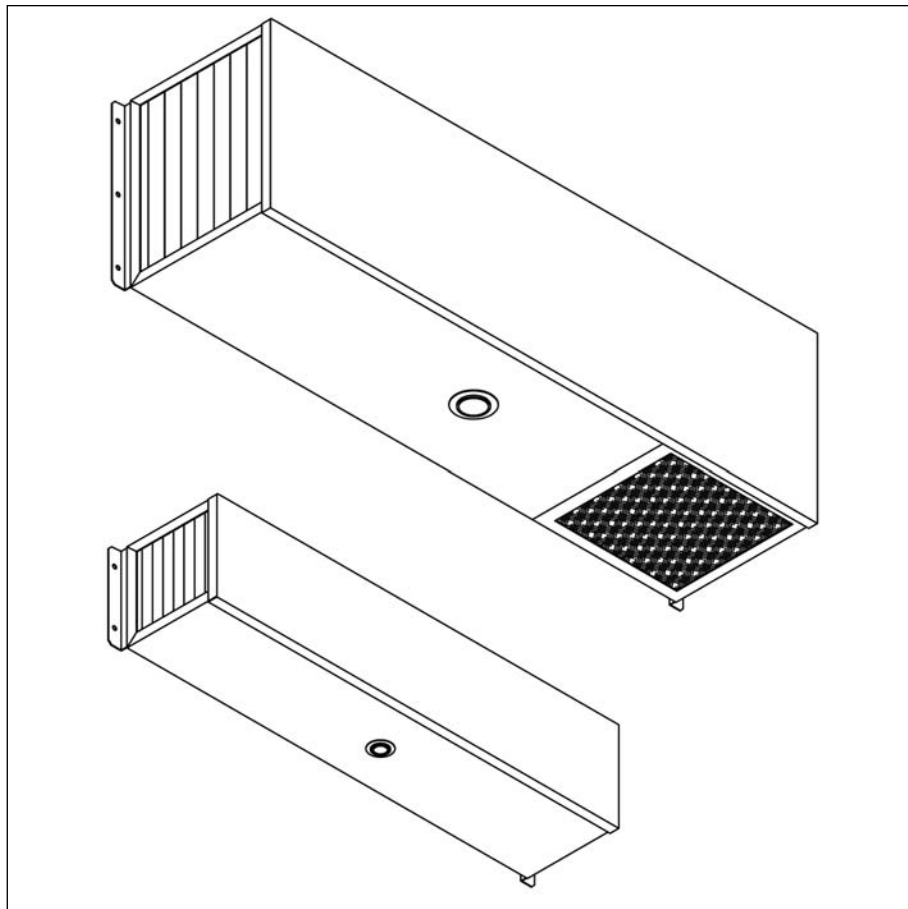
▲ CAUTION: Avoid exposure to direct or strongly reflected germicidal ultraviolet rays. Germicidal ultraviolet rays are harmful to the eyes and skin.

▲ CAUTION: The Food and Drug Administration prohibits any device that generates or causes an accumulation of more than 0.05 P.P.M. of ozone in the atmosphere of an enclosed space intended to be occupied by people for extended periods of time.

STANDARD WALL MOUNTING

The **Monozone™** Ozone Generators Models **2-OZ**, **3-OZ**, and **6-OZ**, include a set of standard wall mounting brackets. The brackets allow the **Monozone™** to be mounted to a wall, or other vertical surface, in either the vertical or horizontal position. Once installed onto the unit, the wall mounting brackets provide four (4) 5/16" mounting holes, on Models **2-OZ**, and **3-OZ**, or six (6) 5/16" mounting holes on the Model **6-OZ**.

Figure 3 - Typical Mounting using Standard Wall Mounting Brackets



▲ CAUTION: Proper installation is important. Special fasteners are required. If in doubt, installation should be done by a qualified professional.

1. Select a plumb, secure wall which is capable of supporting the weight of the unit, with a properly grounded, electrical outlet within 6-feet of the desired placement area. **NOTE:** Utility power supplied, to the unit, **MUST** match power requirements listed on the unit label.
2. Locate and mark the centers of mounting holes in accordance with the appropriate Figure.

Figure 4 - Model 2-OZ & Model 3-OZ Bolt Hole Location

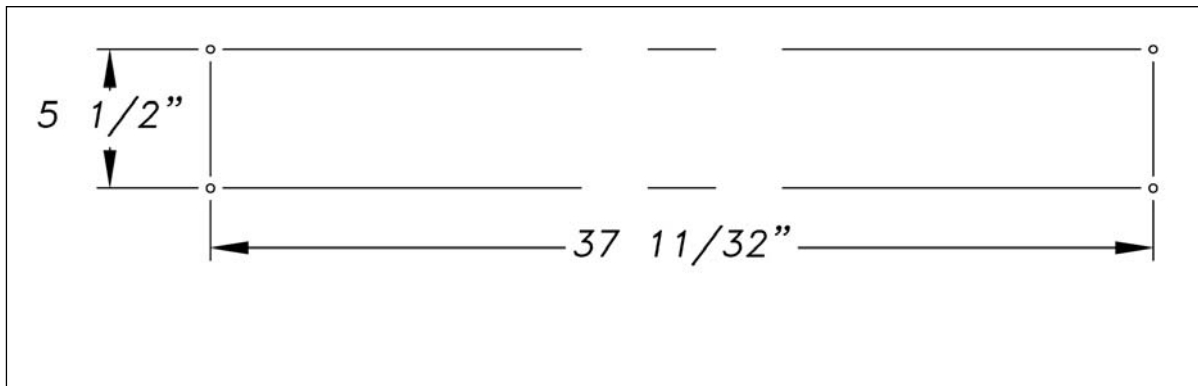
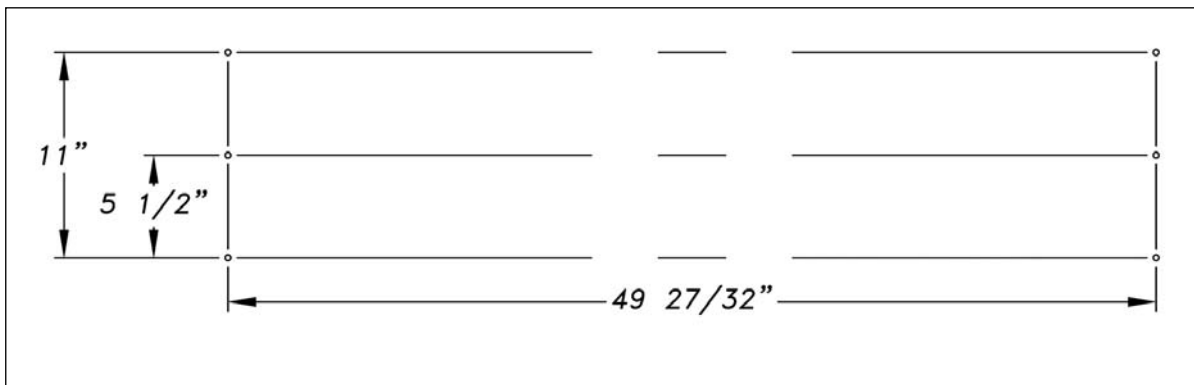


Figure 5 - Model 6-OZ Bolt Hole Location



All specifications, dimensional data, etc. are approximate and subject to change without notice.

3. Following manufacturer's instructions, prepare wall for mounting hardware installation.
4. Locate and remove the molded rubber feet and 1/4"-20 x 3/4" long screws. Attach wall-mounting brackets re-using the 1/4"-20 x 3/4" long screws.
▲ CAUTION: Assistance is required when attempting to wall mount Monozone™ Ozone Generators; they are bulky and better handled by 2 people.
5. Lift the unit into position; align bracket-mounting holes. Insert mounting hardware into each of the mounting holes.
6. **Avoid over tightening!** Over tightening may damage or weaken the mounting surface or the mounting hardware.
7. Install lamp(s) following the steps in “**Lamp Installation, Replacement or Cleaning**” in the “**Maintenance**” section on page 10.

MAINTENANCE

- The **Monozone™** is designed to operate with a minimal amount of maintenance.
- A regular cleaning cycle of the germicidal lamp(s), interior, sight glass and intake filter(s) should be established, and carefully maintained, based on inspection and experience. The frequency of cleaning will vary with the conditions surrounding each installation. It is recommended that the ultraviolet lamp(s) be cleaned at least once every three (3) months.
- The germicidal ultraviolet lamp(s) used in the **Monozone™** have a manufacturer's rated average effective life of 10,000 hours. Lamp(s) may operate longer than their rated effective life, but the reduction in ultraviolet output and ozone will make it impractical to use past the manufacturer's rated life. For maximum efficiency lamp replacement is recommended every 10,000 hours of operation or about one (1) year of continuous use.
- Unless lamp replacement is due to failure or breakage, it is recommended that all lamps be replaced at the same time.

⚠ WARNING: Always disconnect power to the unit before performing any service or maintenance.

REQUIRED SUPPLIES

- Vacuum cleaner
- Detergent
- Water
- Soft, clean, lint-free cloth
- Denatured alcohol

⚠ CAUTION: Do not override the safety interlock switch. Operation of the unit with the interlock switch disabled and the access cover removed will expose occupants to direct and/or strongly reflected germicidal ultraviolet rays. Germicidal ultraviolet rays are harmful to the eyes and skin.

⚠ WARNING: Always disconnect power to the unit before performing any service or maintenance.

LAMP INSTALLATION, REPLACEMENT OR CLEANING

⚠ WARNING: Always disconnect power to the unit before performing any service or maintenance.

⚠ CAUTION: Ultraviolet lamps are easily damaged and may cause injury if broken. Exercise care when handling.

1. Disconnect power to the unit and unplug from the electrical outlet.
2. Remove lamp(s), carefully press lamp against the spring-loaded lamp holder, when upper lamp pin clears the stationary lamp holder pull lamp out, and away from unit .
3. Moisten a clean, lint-free cloth with denatured alcohol and clean lamp(s).
4. When lamp(s) have been removed, cleaned and safely set aside, remove any loose dust or dirt from the interior of the unit with a soft dry cloth, or vacuum.
5. To remove any dust, dirt, fingerprints, smears, etc, from the outer surfaces of the conditioner, moisten a clean, lint-free cloth with denatured alcohol and wipe down the conditioner . Buff out any streaks, left from the cleaning, using a soft dry cloth.
6. Install lamp(s), insert lamp pin into spring-loaded lamp holder. Carefully press lamp against the spring-loaded lamp holder. Align upper lamp pin with stationary lamp holder. Slowly ease the pressure until lamp is fully seated in lamp holders.
7. Verify that lamp(s) is properly seated.
8. Repeat until all lamps have been cleaned and properly reinstalled.
9. Restore power to the unit.



⚠ WARNING: Avoid exposure to direct or strongly reflected germicidal ultraviolet rays. Germicidal ultraviolet rays are harmful to the eyes and skin.

10. Verify operation by viewing lamp(s), use of personal protection equipment is required. If the unit is not operating properly, go to “**Troubleshooting**” section.

INTAKE FILTER

- The **Monozone™** Ozone Generators are fitted with permanent, washable, electrostatic air filter(s). **DO NOT** apply oil, or adhesive sprays to the filter(s).
- In most applications, regular vacuuming will maintain peak performance of electrostatic filter(s); periodically flushing electrostatic filter(s) with clean water is recommended whenever vacuuming fails to restore a clean appearance.
- Electrostatic Filter(s) may be cleaned repeatedly without loss of efficiency. The frequency of cleaning will vary with the conditions surrounding each installation.

CLEANING OF ELECTROSTATIC FILTER

▲ WARNING: Always disconnect power to the unit before performing any service or maintenance.

1. Disconnect power to the unit and unplug from the electrical outlet.
2. Unlatch and remove access cover.
3. Remove filter(s) from the housing, noting airflow direction. The label on the filter frame shows the direction of air flow through the filter.
4. Vacuum the upstream side first, and repeat on the discharge side. Skip to step 7.

▲ CAUTION: Do not use a high velocity water stream to clean the filter. A high velocity stream may destroy the filter's internal fibers.

5. To wash filter(s), flush thoroughly with clean water, either by immersing or with a fine spray in the direction opposite to the airflow. If the filter(s) is contaminated with heavy grease concentrations, wash filter(s) with a detergent solution. **NOTE:** Follow all manufacturer's instructions and precautions for handling detergents. The filter(s) should be rinsed thoroughly with clean water.
6. Shake off any excess water from filter(s) and let dry.
7. Replace filter(s) into the housing, with airflow direction label pointing into the electrical enclosure.
8. Replace and re-latch access cover.
9. Plug unit into the electrical outlet to restore power.
10. Verify operation by viewing lamps through sight glass. If the unit is not operating properly, go to “**Troubleshooting**” section.

BREAKAGE

▲ CAUTION: Broken Quartz is SHARP.



Wear protective gloves when handling broken ultraviolet lamps.

In the event of breakage, **DO NOT use a household vacuum cleaner to pick up fragments of the lamp.** Sweep up debris into a plastic bag and dispose of properly.

DISPOSAL OF MERCURY ADDED LAMPS

Germicidal ultraviolet lamps, like standard fluorescent lamps contain small amounts of mercury. Mercury added lamps should not be placed in the trash. Dispose of properly.

For further information regarding the disposal and recycling of lamps containing mercury, along with Federal and State requirements visit <http://www.lamprecycle.org>. Product Data Sheets for germicidal ultraviolet lamps can be found in the “PDF Library for **STER-L-RAY®** Germicidal Ultraviolet Lamps” section of <http://www.ultraviolet.com>.

OPTIONAL ACCESSORIES

1. **Sentinel™ Lamp Operation Indicator:** Monitors individual lamp operation, in any location up to 25 feet from the **Monozone™** Ozone Generator. Extension cables are also available.
2. * **Elapsed Time Indicator:** A non-resettable display of the operating hours. Useful for scheduling and recording maintenance and lamp replacement.
3. * **Integral Key Lock Switch:** Ensures tamperproof operation, in either the “ON” or “OFF” position.
4. **Disposable Filters:** Cardboard frame filters, for use when frequent filter changes are necessary.
5. **Ceiling Mount Kit:** Kit includes four (4) eyebolts to suspend ozone generator from the ceiling.
6. **Wall Mounting Kit:** “L” bracket set designed to allow unit to mount to a vertical wall in a horizontal position.

* This accessory must be ordered at the time of initial equipment purchase.
All other accessories can be ordered and installed at the time of initial equipment purchase and installation or added at a later date.

For more information and purchasing contact our offices, weekdays between 8:30 am and 5:00 pm Eastern time,
at: Atlantic Ultraviolet Corporation, 375 Marcus Boulevard, Hauppauge, New York, 11788
Tel: 631.273.0500 • Fax: 631.273.0771 • E-mail: info@ultraviolet.com • Website: www.ultraviolet.com

TROUBLESHOOTING

⚠ WARNING: Always disconnect power to the unit before performing any service or maintenance.



Use **personal protection equipment**, such as gloves; long sleeves with no gaps between cuffs and gloves, and ultraviolet resistant face shield, if troubleshooting **Monozone™**.

- **IMPORTANT:** This unit is to be serviced **ONLY** by qualified, and appropriately licensed, personnel.

Table 1 - Troubleshooting

Problem	Possible Cause	Corrective Action
Unit not operating.	No electrical power...	Verify that the unit is connected to a live power source.
	Power connections, loose or disconnected...	Verify power connections are fully engaged.
	Ballast	Disconnect the unit from utility power. Replace ballast.
Internal blower not functioning.	Loose power connection...	Confirm connection to blowers; connections are tight and making full contact.
	Faulty blower motor...	Replace blower motor.
Single germicidal lamp not operating.	Germicidal lamp not operating...	Swap suspect lamp, with known good lamp. If suspect lamp still does not operate, replace lamp.
	Germicidal lamp not properly seated...	Confirm contact of lamp and lamp socket, contacts are tight and lamp socket is making full contact with lamp.
All germicidal lamps not operating.	Lamps not installed...	Install lamps.
	Interlock switch open...	Confirm access cover is on and latched.
	Interlock switch faulty...	Replace interlock switch.

If the above measures fail to correct the problem(s), contact our application specialists. Contact options can be found in the “User Assistance” section of this manual.

TECHNICAL SPECIFICATIONS

Table 2 - Technical Specifications for 120v 50/60Hz version

Model No:		2-OZ	3-OZ	6-OZ
Blower Capacity: (Cubic Feet per Minute)		72	140	435
Nominal Unit Capacity ^① : (Cubic Feet per Minute)		54	105	326
Max Treatment Capacity: (Cubic Feet per Hour)		3,240	6,300	19,575
Max Room Size @ 3 Air Changes/Hour: (Cubic Feet)		1,080	2,100	6,525
Max Room Size @ 4 Air Changes/Hour: (Cubic Feet)		810	1,575	4,894
Max Room Size @ 5 Air Changes/Hour: (Cubic Feet)		648	1,260	3,915
Max Room Size @ 6 Air Changes/Hour: (Cubic Feet)		540	1,050	3,263
Dimensions:	Length: (Inches)	34-1/2	34-1/2	47-5/16
	Width: (Inches)	7-3/4	7-3/4	14
	Height: (Inches)	7-3/4	7-3/4	12
Electrical:	Volts: (Volts)	120	120	120
	Amps: (Amps)	1.25	2.30	4.52
	Line Frequency: (Hertz)	50/60	50/60	50/60
Lamp Data:	Lamp Model:	05-1349-R	05-1349-R	05-0050-R
	Power Consumption ^② : (Watts/Lamp)	25	25	32
	Ultraviolet Output ^③ : (Watts/Lamp)	8.5	8.5	11.2
	Ozone Output [*] : (Total)	2.3	4.6	12.0

① Unit capacity incorporates an estimated allowance for airflow friction loss across filter and unit.

② Wattage is lamp watts only and does not include ballast loss.

③ Ultraviolet output at 254nm at 100 hours and 80° F (approximate).

* Approximate ozone in grams per hour under favorable conditions. Ozone output is subject to considerable variation due to conditions under which the lamp is used.

230v 50/60 Hz models are available. Consult the factory with specific requirements.

All specifications, dimensional data, etc. are approximate and subject to change without notice.

REPLACEMENT PARTS

Table 3- Replacement Parts List for Monozone™ Ozone Generators

ITEM NO.	DESCRIPTION	Model 2-OZ		Model 3-OZ		Model 6-OZ	
		QTY	PART NO.	QTY	PART NO.	QTY	PART NO.
1	Germicidal Ultraviolet Ozone Lamp	1	05-1349-R	2	05-1349-R	4	05-0050-R
2	Ballast: 120v 50/60Hz	1	10-0137	2	10-0137	4	10-0137
	Ballast: 230v 50/60Hz	1	10-0136	2	10-0136	4	10-0136
3	Filter: Electrostatic	1	40-7058A	1	40-7058A	2	40-1266B
4	Blower: 120V	1	40-0104A	1	40-1079B	1	40-1078B
	Blower: 230V		40-0032A	1	40-0031A	1	40-0078
5	Lampholder Set	1	05-1320A-R	2	05-1320A-R	4	05-1320A-R
6	Interlock Switch	1	40-4040A	1	40-4040A	1	40-4040A
7	Switch: DPDT 15A	-	-	-	-	1	35-0014*
8	Molded Rubber Bumpers	4	00-1351A	4	00-1351A	6	00-1351A
9	Wall Mounting Bracket ^①	2	40-1309A	2	40-1309A	2	40-4210A
10	Line Cord ^①	1	35-1100	1	35-1100	1	35-1100
11	Sight Glass	2	40-1044A1	2	40-1044A1	2	40-1040A1

Other replacement parts are available. Consult the factory with specific requirements.

① Item not shown, for clarity.

* Only applies to Model 6-OZ 120v version.

REPLACEMENT PARTS

Figure 6- Replacement Parts List for Monozone™ Models 2-OZ & 3-OZ

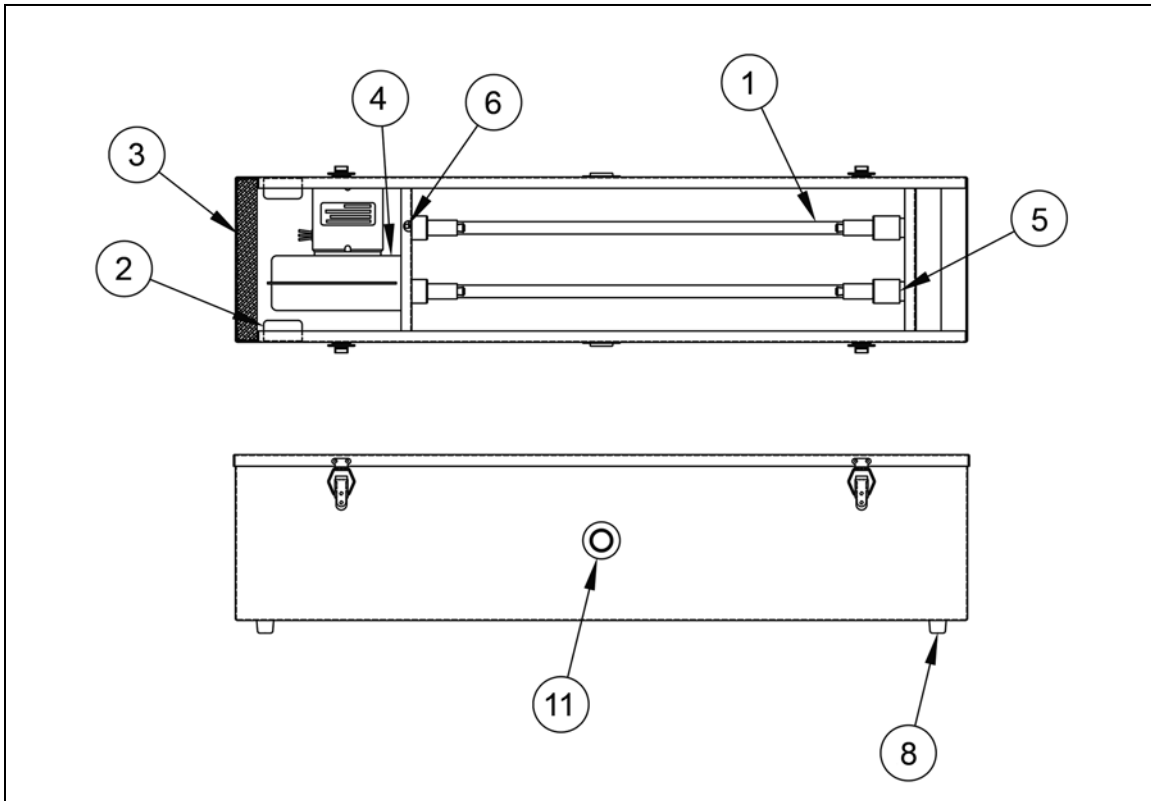
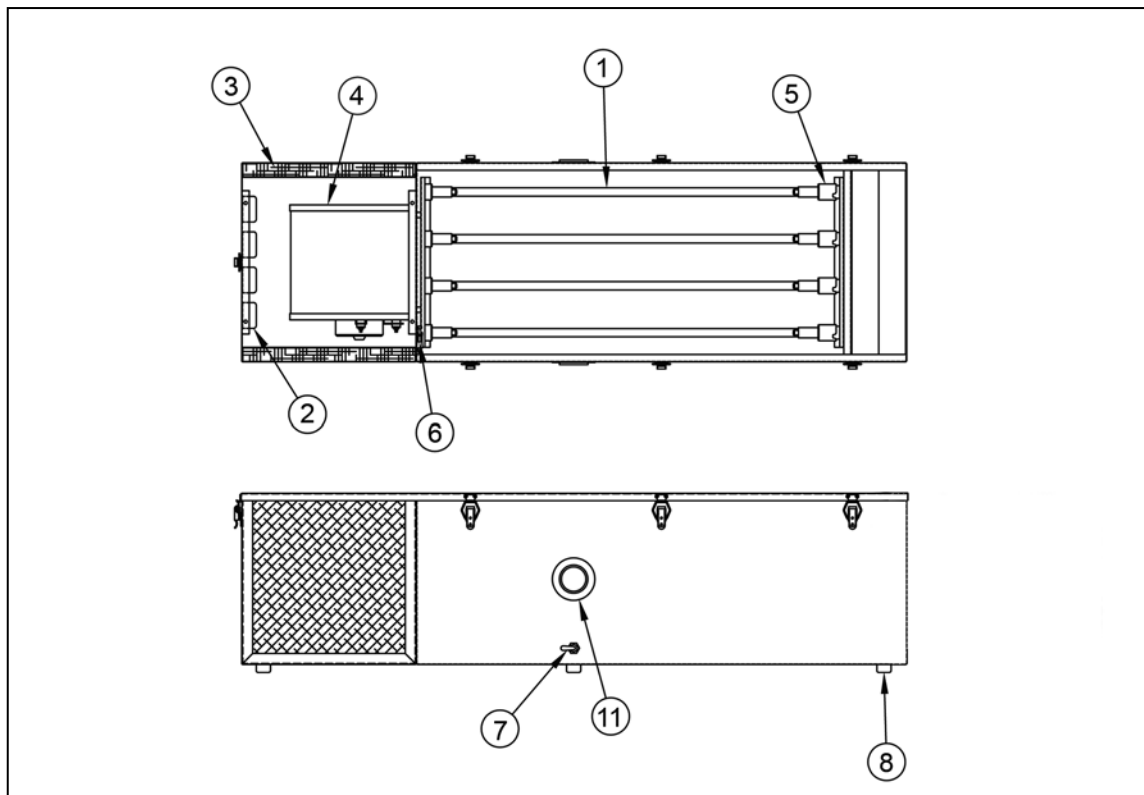


Figure 7- Replacement Parts List for Monozone™ Model 6-OZ



USER ASSISTANCE

Atlantic Ultraviolet Corporation makes every effort to ensure that the **Monozone™** Ozone Generators are products of superior quality and workmanship. This manual describes the installation, operation and maintenance of the **Monozone™** Ozone Generators.

Please read and become familiar with the contents of this manual before installing or using this unit. If after reading the manual you still have questions, or concerns, regarding the installation or use of this unit, contact our offices, week-days between 8:30 am and 5:00 pm Eastern time, at:

Atlantic Ultraviolet Corporation
375 Marcus Boulevard
Hauppauge, New York, 11788

Tel: 631.273.0500
Fax: 631.273.0771

E-mail: info@ultraviolet.com
Website: www.ultraviolet.com

Please REGISTER your product immediately - you can do this in a number of ways. Go online to Ultraviolet.com and on the bottom left of each page either click on "Fill out Warranty Reg. Form on-line!" complete and hit submit or click on "Download a PDF of the Warranty Reg. card" which you can print, fill out and mail in. If you prefer to register over the telephone please call 631-273-0500.

Atlantic Ultraviolet Corporation takes all possible precautions when packaging equipment to prevent damage. Carefully inspect and report all damage. Do not install damaged equipment. Follow all instructions on any labels or tags. Carefully inspect all packing materials before discarding to prevent the loss of accessories, mounting hardware, spare parts or instructions.

For your convenience, record the following information below. The model and serial number can be found on a label located on the **Monozone™** Ozone Generators. Keep this manual, along with proof of purchase, handy when contacting our offices.

Purchased From:	Date:
Model:	Serial No.:

WARRANTY

We warrant that this product will be free from defects in material and workmanship for a period of one year from the date of shipment thereof or the product's total rated life, whichever first occurs. Within the warranty period we shall repair or replace such products, which are returned to us with shipping charges prepaid, and which are determined by us to be defective. This warranty will not apply to any product, which has been subjected to misuse, negligence, or accident; or misapplied; or modified; or repaired by unauthorized persons; or improperly installed.

The Buyer shall inspect the product promptly after receipt and shall notify us at our main office in writing of claims, including claims of breach of warranty, within thirty (30) days after the Buyer discovers or should have discovered the facts upon which the claim is based. Failure of the Buyer to give written notice of a claim within the time period shall be deemed to be a waiver of such claim.

The provisions of the above warranty are our sole obligation and exclude all other remedies or warranties, expressed or implied, including warranties of merchantability and fitness for a particular purpose, whether or not purposes or specifications are described herein. We further disclaim any responsibility whatsoever to the customer, or to any person, for injury to person, damage to, or loss of property or value caused by any product which has been subjected to misuse, negligence, accident; or modified or repaired by unauthorized persons; or improperly installed.

Under no circumstances shall the Company be liable for any incidental, consequential or special damages, losses or expenses arising from the contract for this product, or in connection with the use of, or inability to use, our product for any purpose whatsoever.

PATENT NOTICE

No attempt has been made to determine the patent status of applications illustrated or described in this publication. Inclusion in this publication of any design or method of use, which may be patented, is not to be construed as promoting or sanctioning unauthorized use.